



PLATECH



The Future  
is here

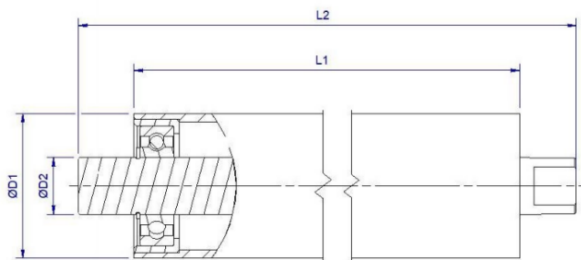


# CONVEYOR ROLLERS

WE PRODUCE ROLLERS, DRIVE AND RETURN DRUMS ALSO WE MAKE COMPLETE CONVEYOR SYSTEMS ACCORDING TO OUR OWN OR ENTRUSTED DOCUMENTATION

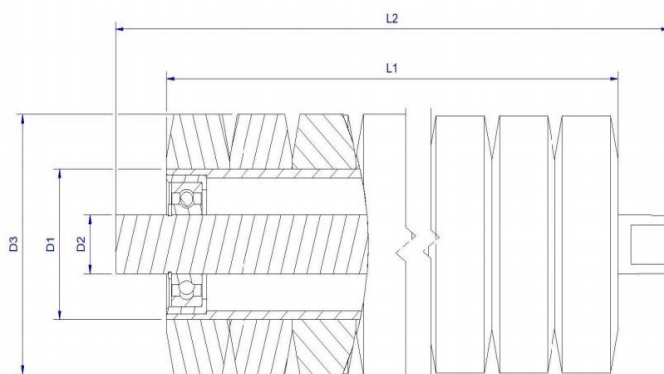


## SMOOTH ROLLER – TYPE KS



The smooth roller is equipped as standard with high-quality double-sided covered bearings mounted in turned housings welded into both ends of the pulley. Standard anti-corrosion protection is hot-dip galvanizing. optionally it is possible to equip the roller with an additional labyrinth seal and paint it on a color of your choice.

## IMPACT ROLLER – TYPE KP



The standard equipment corresponds to a smooth roller and is extended by rubber rings made of rubber with a hardness selected by the customer, permanently glued to the roller covering its entire surface.



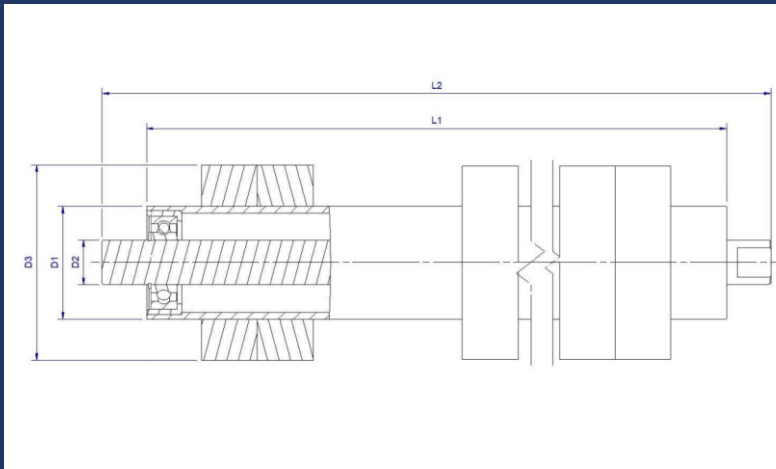
**PLATECH**

PLATECH Sp.zo.o. Ul Czestochowska 3A, 46-320 Strojec



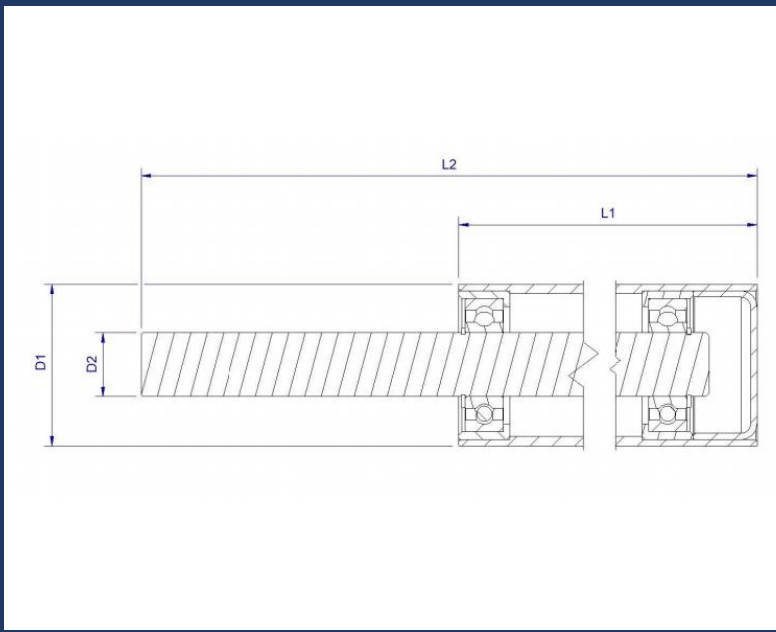
# CONVEYOR ROLLERS

## DISC ROLLER – TYPE KT



The standard of equipment corresponds to a smooth roller and is extended by rubber discs made of rubber with a hardness selected by the customer, permanently glued to the roller according to the indicated spacing

## GUIDE ROLLER – TYPE KK

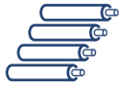


The standard directional roller is equipped with high-quality bearings covered on both sides, mounted in turned housings welded at both ends. The standard anti-corrosion protection is hot-dip galvanizing. It is possible to equip the roller with an additional labyrinth seal and paint it with a selected color. As a standard, the directional roller has one of the ends plugged in a way that allows its disassembly



**PLATECH**

PLATECH Sp.zo.o. Ul Czestochowska 3A, 46-320 Strojec



# CONVEYOR ROLLERS

## Standard axle ends

\*WE ALSO MAKE SOLUTIONS ACCORDING TO THE ENROLLED DOCUMENTATION

TYPE_01		TYPE_02	
TYPE_03		TYPE_04	
TYPE_05		TYPE_06	

## LIST OF ROLLER DIMENSIONS

L1=	L2=	E=	F=	D1=	D2=	D3=	D4=	SW=	M=
-----	-----	----	----	-----	-----	-----	-----	-----	----



**PLATECH**

PLATECH Sp.zo.o. Ul Czestochowska 3A, 46-320 Strojec